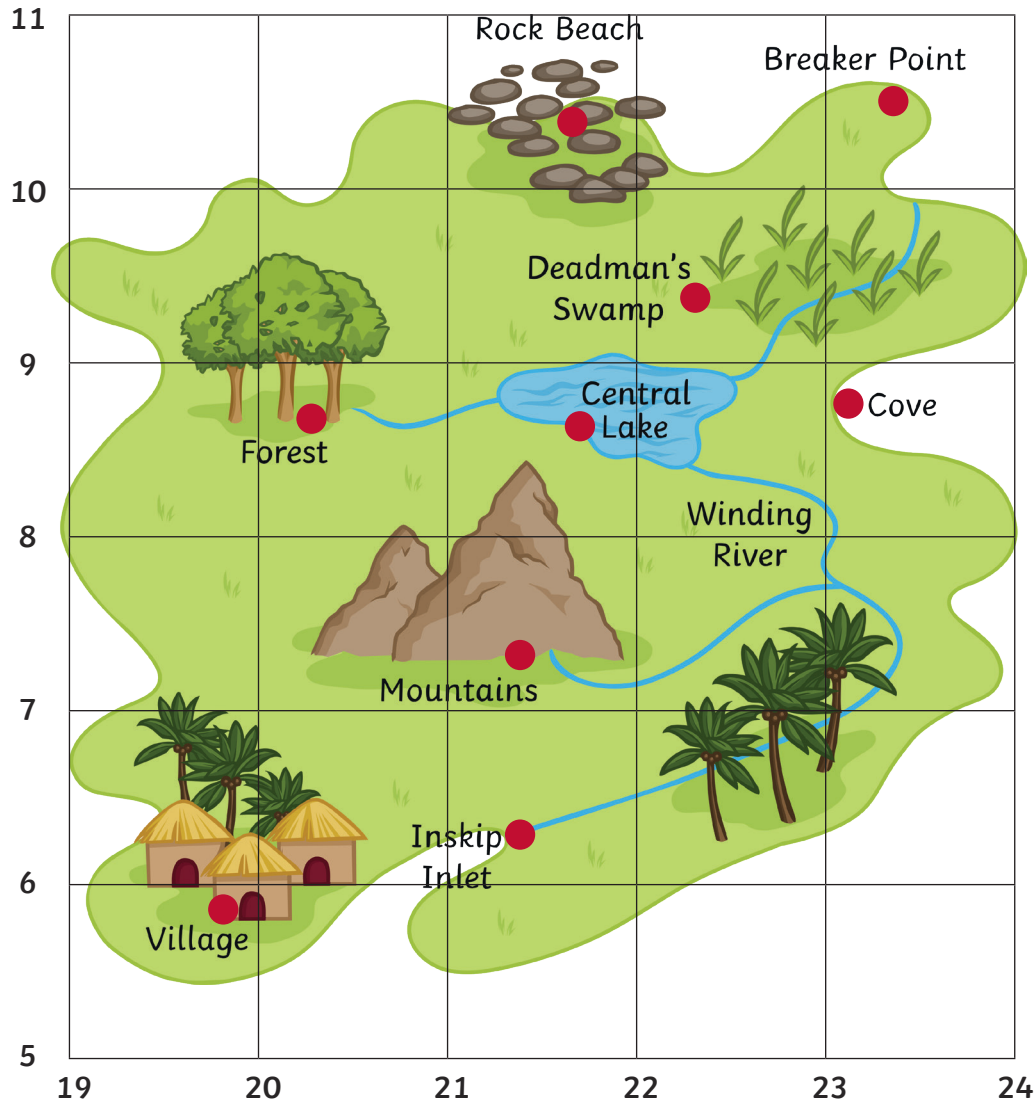


# Treasure Hunting

## Map Reading

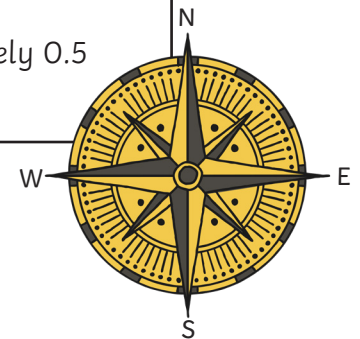
Being able to read and describe a map is a key skill in geography. Use the map below to follow the clues and work out where the treasure is buried.



### Can You Find the Treasure?

1. You arrive in square 23 10 at Breaker Point.
2. Walk in a south-westerly direction until you reach Deadman's Swamp.
3. Here, you will find a river.
4. Follow the river in a south-westerly direction until you reach a lake.
5. Walk anticlockwise around the lake until you locate another river.
6. From here, travel west for exactly 1 mile.
7. Then, travel south-east for exactly 1 mile.
8. From here, walk south until you reach the sea.
9. At the sea, walk west for exactly 1 mile.
10. You will find the treasure approximately 0.5 miles south of your current location!

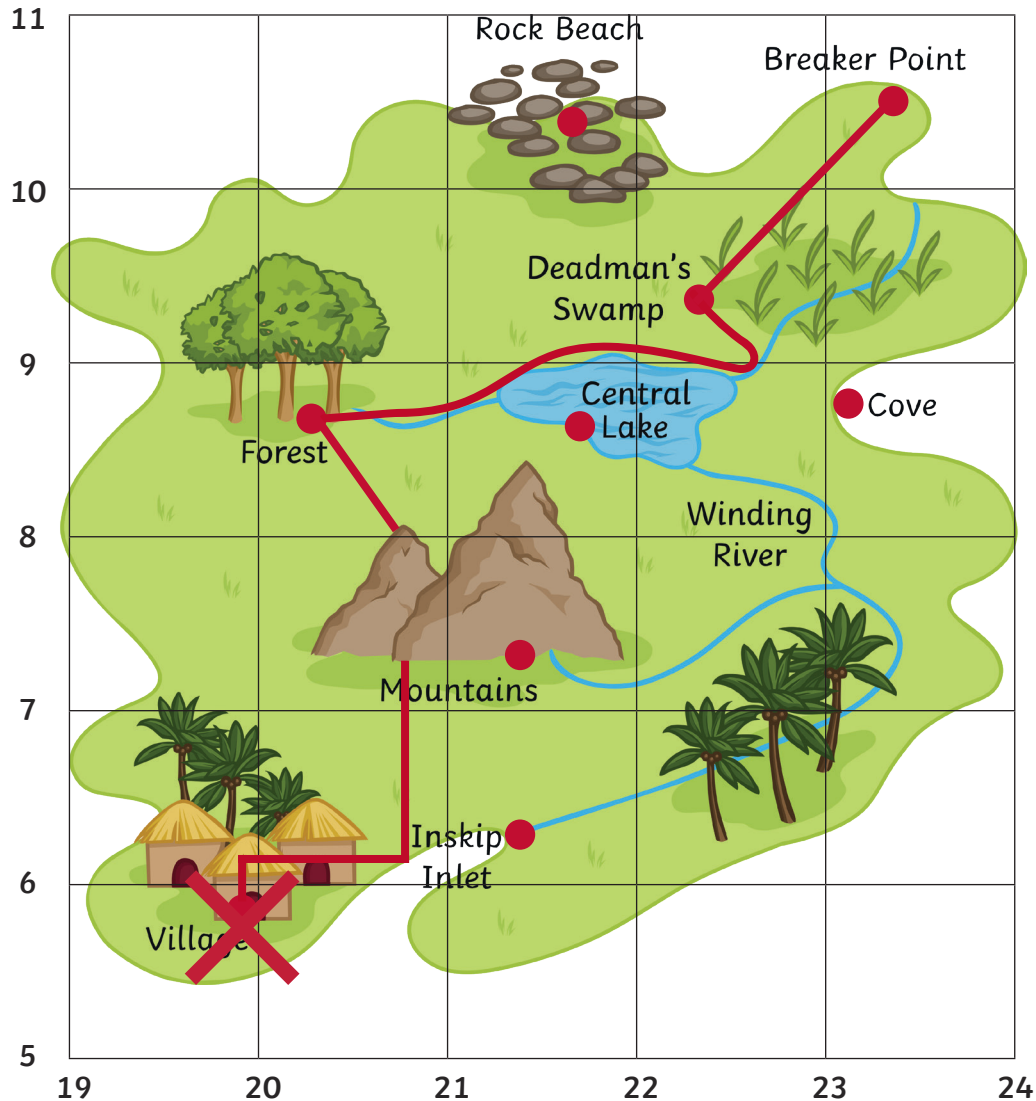
1 mile = 1 square



# Treasure Hunting - Answers

## Map Reading

Being able to read and describe a map is a key skill in geography. Use the map below to follow the clues and work out where the treasure is buried.



### Can You Find the Treasure?

1. You arrive in square 23 10 at Breaker Point.
2. Walk in a south-westerly direction until you reach Deadman's Swamp.
3. Here, you will find a river.
4. Follow the river in a south-westerly direction until you reach a lake.
5. Walk anticlockwise around the lake until you locate another river.
6. From here, travel west for exactly 1 mile.
7. Then, travel south-east for exactly 1 mile.
8. From here, walk south until you reach the sea.
9. At the sea, walk west for exactly 1 mile.
10. You will find the treasure approximately 0.5 miles south of your current location!

1 mile = 1 square

